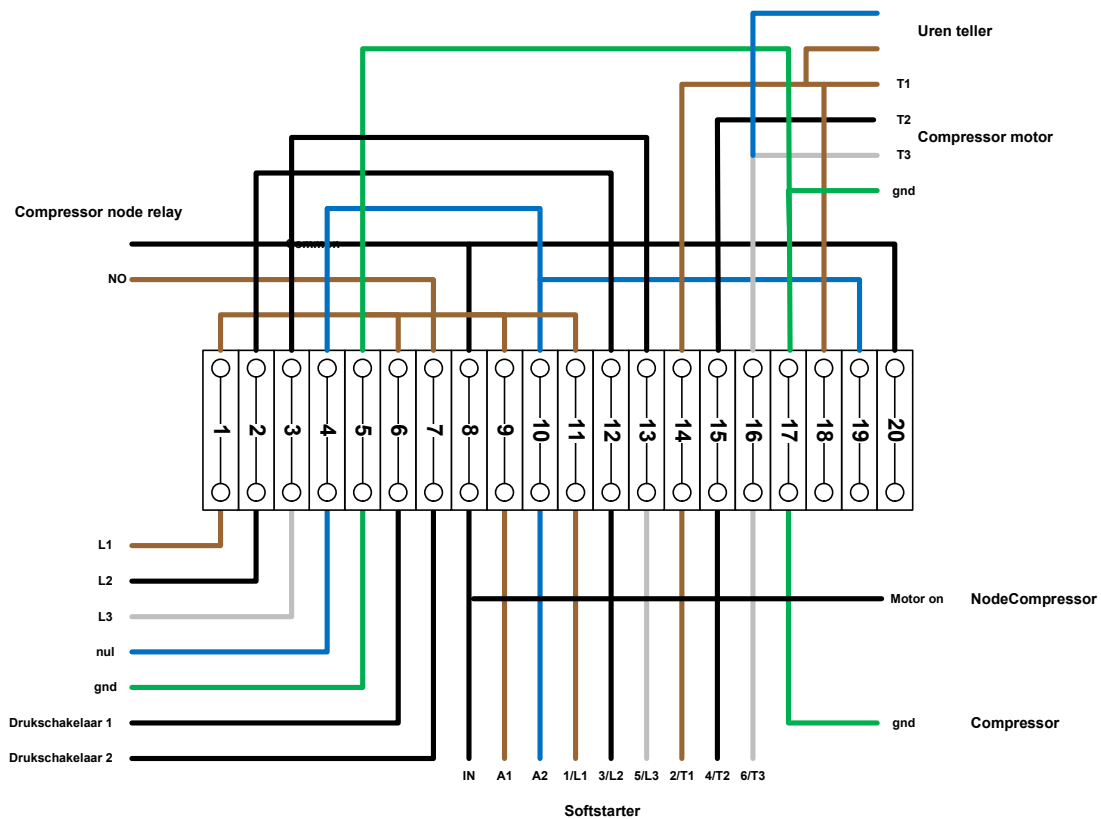


Softstarter	
Starting voltage	80 %
Ramp-up time	1,5 s
Motor current le	12 A
Current limiting value xLe	4 x
Ramp down time t	5 s
Reset function	Manual



Drawn by: Hans Beerman	Filename: Compressor met softstarter concept V0.13 20201116.vsd		
Compressor met softstarter			
Date: 16-11-20	Version: 0.13	Status: Concept	Page: 1/1