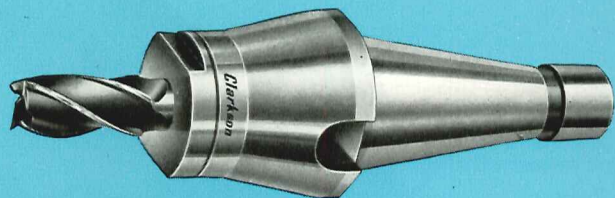


## SMALL AUTOLOCK "S" TYPE CHUCK

Complete with four collets,  $\frac{1}{4}$ ",  $\frac{3}{8}$ ",  $\frac{1}{2}$ ",  $\frac{5}{8}$ " bore (or 6, 10, 12, 16 mm. bore).

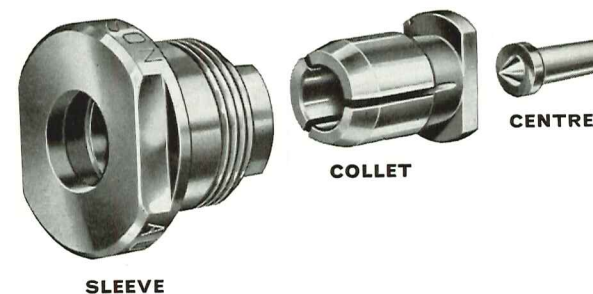


CAPACITY  $\frac{1}{16}$ " —  $\frac{3}{4}$ " dia. (1.5 mm. — 20 mm.)

Code No.	Chuck Taper	Whit.	Tapping		
			B.S.F.	MM.	N.C.
80002	2 Morse	$\frac{3}{8}$ "	$\frac{5}{16}$ "	10	$\frac{3}{8}$ "
80003	3 Morse	$\frac{1}{2}$ "		12	$\frac{3}{8}$ "
80004	4 Morse	$\frac{5}{8}$ "		14/16	$\frac{1}{2}$ "
80005	5 Morse	$\frac{5}{8}$ " / $\frac{3}{4}$ "		20	$\frac{5}{8}$ "
80007	7 Brown & Sharpe	$\frac{3}{8}$ "			$\frac{3}{8}$ "
80009	9 Brown & Sharpe	$\frac{5}{8}$ "			$\frac{1}{2}$ "
80010	10 Brown & Sharpe	$\frac{5}{8}$ "			$\frac{5}{8}$ "
80030	30 International N.S.	$\frac{3}{8}$ " / $\frac{1}{2}$ "		12	$\frac{3}{8}$ " / $\frac{1}{2}$ "
80040	40 International N.S.	$\frac{5}{8}$ "		14/16	$\frac{5}{8}$ "
80050	50 International N.S.	1"		24	1"
80008	Bridgeport R.8	$\frac{7}{16}$ " A.N.F.			
80013	3 Morse Victoria	$\frac{1}{2}$ "			
80014	4 Morse Deckel	No Tapping			
80020	40 International Deckel F.P.2	No Tapping			
80038	1 $\frac{3}{8}$ " Non Stick	$\frac{3}{8}$ "			
80016	50 Int. Arborloc				1"

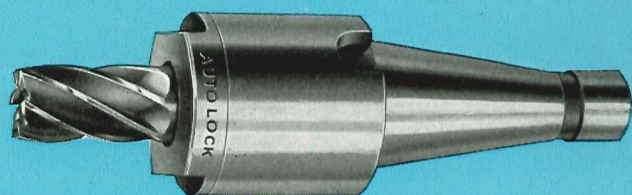
AUTOLOCK CHUCKS CAN BE SPECIALLY MANUFACTURED TO FIT ANY MACHINE

## SPARES FOR SMALL "S" TYPE CHUCK



Code No.	Description
40070	Sleeve
40071	$\frac{1}{4}$ " collet
40072	$\frac{3}{8}$ " collet
40073	$\frac{1}{2}$ " collet
40074	$\frac{5}{8}$ " collet
40M71	6 mm. collet
40M72	10 mm. collet
40M73	12 mm. collet
40M74	16 mm. collet
40M92	8 mm. collet
40102	Centre for all chucks except 2M and 7 B & S. taper
40090	Centre for chuck with 2M and 7 B & S. taper
40075	Spanner
40088	Support Ring for chucks with 2 M and 7 B & S. taper

## LARGE AUTOLOCK "S" TYPE CHUCK



CAPACITY  $\frac{1\frac{1}{8}}{2}$ " — 2" dia. (22 mm. — 50 mm.)

Chucks with the smaller tapers have a maximum collet capacity of 1" (or 25 mm.) and take the complete range of cutters up to 2" diameter with 1" shanks (or up to 45 mm. diameter with 25 mm. shanks).

A  $\frac{3}{4}$ " (or 20 mm.) collet can be supplied as an extra item (Code Numbers 40098 and 40099).

Code No.	Chuck Taper	Whit.	Tapping	
			MM.	N.C.
80303	3 Morse	$\frac{1}{2}$ "	12	$\frac{3}{8}$ "
80304	4 Morse	$\frac{5}{8}$ "	14/16	$\frac{1}{2}$ "
80314	4 Morse Deckel	No Tapping		
80330	30 International	$\frac{3}{8}/\frac{1}{2}$ "	12	$\frac{3}{8}/\frac{1}{2}$ "
80308	Bridgeport R.8	$\frac{7}{16}$ " A.N.F.		

Chucks with the larger taper are supplied complete with two collets 1" and  $1\frac{1}{4}$ " bore (or 25 mm. and 32 mm. bore). We therefore recommend the use of the alternative range of cutters,  $1\frac{1}{4}$ " diameter and above with  $1\frac{1}{4}$ " shanks (32 mm. and above with 32 mm. shanks). A  $\frac{3}{4}$ " (or 20 mm.) collet can be supplied as an extra item (Code Numbers 40091 and 40M91).

80105	5 Morse	$\frac{5}{8}/\frac{3}{4}$ "	20	$\frac{5}{8}$ "
80115	5 Morse DIN 1806/2207	No Tapping		
80106	6 Morse DIN 2207	$\frac{3}{4}$ "	24	$\frac{3}{4}$ "
80126	6 Morse DIN 1806/2207	No Tapping		
80140	40 International	$\frac{5}{8}$ "	14/16	$\frac{5}{8}$ "
80120	40 Int. Deckel F.P.2	No Tapping		
80150	50 International	1"	24	1"
80116	50 Int. Arborloc			1"

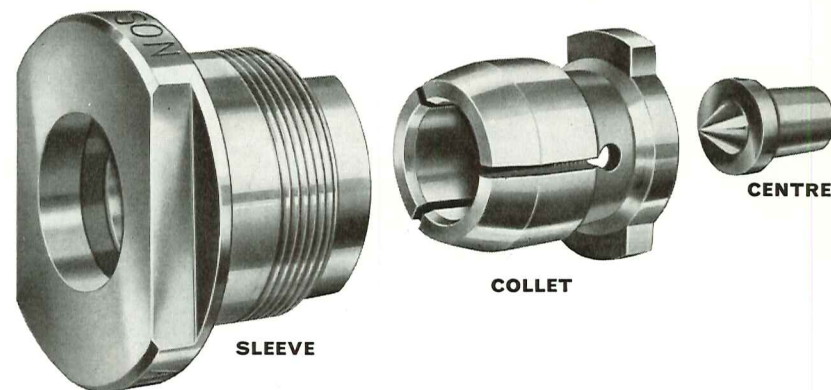
## HEAVY DUTY AUTOLOCK "S" TYPE CHUCK

Fitted with 1",  $1\frac{1}{4}$ " and  $1\frac{1}{2}$ " collets

80450	50 International	1"	24	1"
-------	------------------	----	----	----

**AUTOLOCK CHUCKS CAN BE SPECIALLY MANUFACTURED TO FIT ANY MACHINE**

## SPARES FOR LARGE AND HEAVY DUTY "S" TYPE CHUCKS



For Chucks with '803' Code Number Prefixes	Description	For Chucks with '801' Code Number Prefixes
40100	Sleeve	40076
40094	1" Collet	40077
40098	$\frac{3}{4}$ " Collet	40091
	$1\frac{1}{4}$ " Collet	40078
40097	25 mm. Collet	40M77
40099	20 mm. Collet	40M91
	32 mm. Collet	40M78
40102	Centre	
	Centre with 2 Morse taper	40079
	Centre with 1 Morse taper	40080
40095	Spanner	40081
40096	Support Ring for chuck with 3 Morse taper only	

### For Heavy Duty "S" Type Chucks.

Code No.	Description
40106	Sleeve
40103	1" Collet
40104	$1\frac{1}{4}$ " Collet
40105	$1\frac{1}{2}$ " Collet
40185	25 mm. Collet
40186	32 mm. Collet
40187	38 mm. Collet
48047	Centre
40107	Spanner



# AUTOLOCK MINIATURE "S" TYPE CHUCK



Code No.	Chuck Taper	Whit.	Tapping MM.	N.C.
80201	1 Morse Taper	$\frac{1}{4}$ "	6	$\frac{1}{4}$ "
80202	2 Morse Taper	$\frac{3}{8}$ "	10	$\frac{3}{8}$ "
80203	3 Morse Taper	$\frac{1}{2}$ "	12	$\frac{3}{8}$ "

This chuck is designed to meet cases where the visibility of small cutters is of prime importance or when only a range of small diameter cutters is required. It is supplied complete with  $\frac{1}{4}$ " and  $\frac{3}{8}$ " (or 6 mm. and 10 mm.) collets and is capable of holding the range of cutters shown below.

Cutters	Range	MM.
Autolock End Mills	$\frac{1}{16}$ " to $\frac{1}{32}$ " in $\frac{1}{32}$ nds	2.5 — 10
Autolock Long Series End Mills	$\frac{1}{8}$ " to $\frac{1}{32}$ " in $\frac{1}{32}$ nds	3 — 10
Autolock Slot Drills	$\frac{1}{16}$ " to $\frac{1}{32}$ " in $\frac{1}{64}$ ths	1.5 — 10
Autolock Long Series Slot Drills	$\frac{1}{16}$ " to $\frac{1}{32}$ " in $\frac{1}{32}$ nds	2 — 10
Ball Nosed Slot Drills	$\frac{1}{16}$ " to $\frac{1}{32}$ " in $\frac{1}{32}$ nds	2 — 10
Long Series Ball Nosed Slot Drills	$\frac{1}{8}$ " to $\frac{1}{32}$ " in $\frac{1}{16}$ ths	3 — 10
Counterbores	4BA, 2BA, $\frac{1}{4}$ ", $\frac{1}{8}$ ", $\frac{5}{16}$ ", $\frac{3}{8}$ ", bolt size (4-10 mm. bolt size)	

## SPARES

Code No.	Description
40082	Sleeve
40083	$\frac{1}{4}$ " Collet
40084	$\frac{3}{8}$ " Collet
40M83	6 mm. Collet
40M84	10 mm. Collet
40085	Centre
40093	Spanner

# AUTOLOCK ADAPTOR CHUCK "S" TYPE

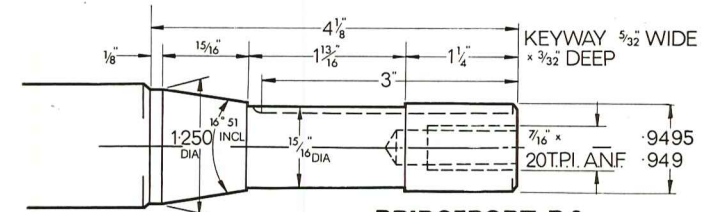


## Code Number 40086

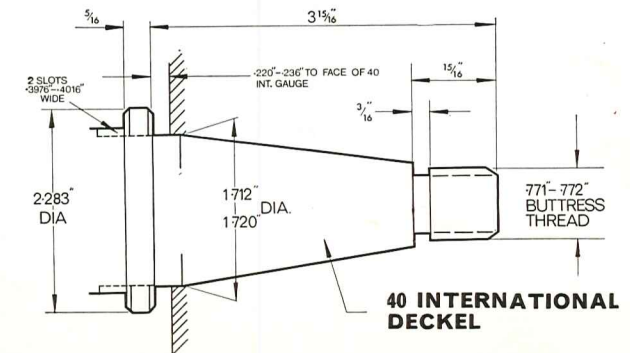
The Adaptor Chuck can be fitted to large Autolock chucks having tapers of 5 Morse or greater (i.e. 801. . code number prefixes), making it possible to hold the range of cutters which normally fit the small capacity chuck. SPARES — With the exception of the centre are as shown for the Small Autolock Chuck.

## Code Number 40087 — Centre

# TAPER DIMENSIONS FOR AUTOLOCK CHUCKS



BRIDGEPORT R.8



40 INTERNATIONAL  
DECKEL